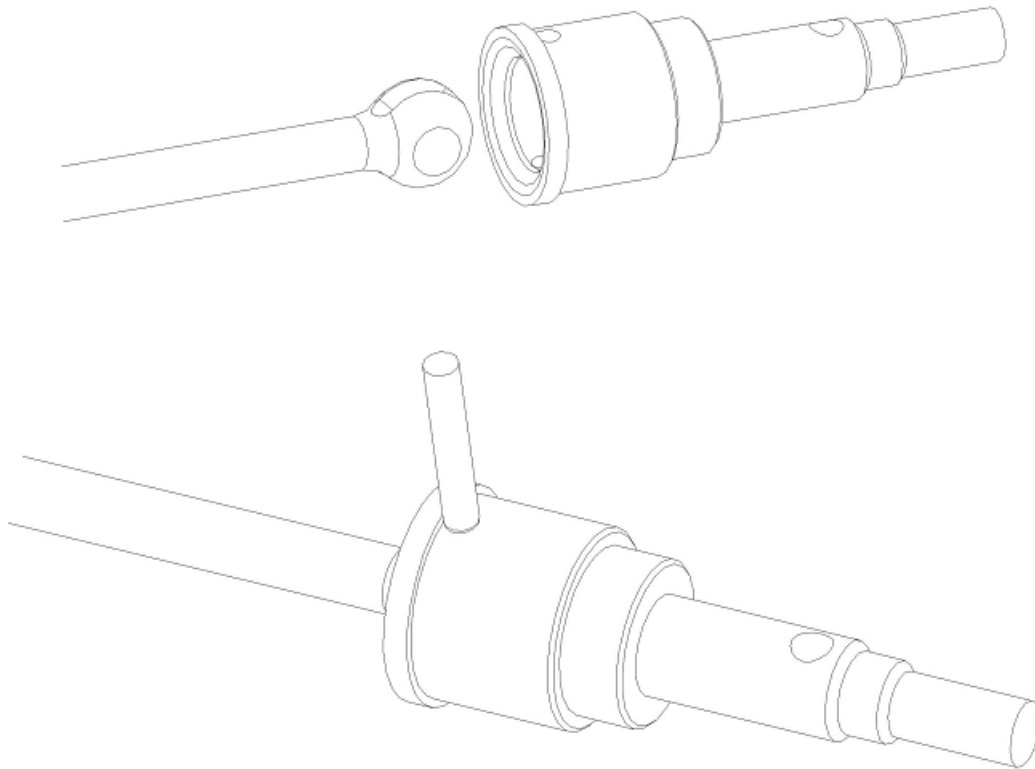


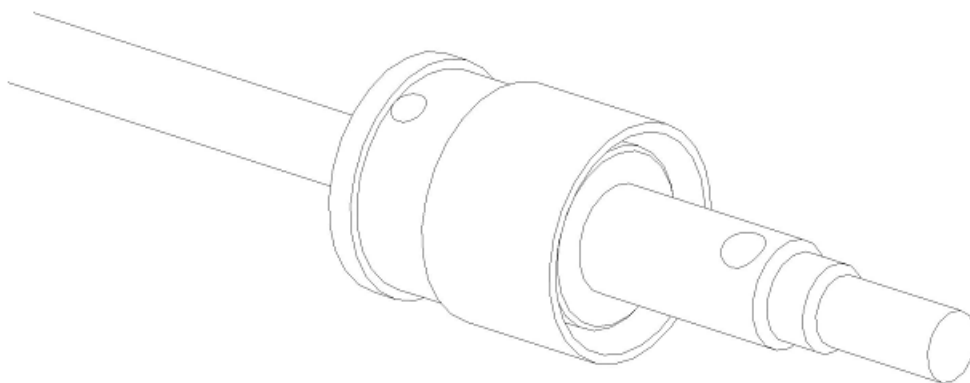
SSD Front Axle Portal Delete Kit Assembly Instructions

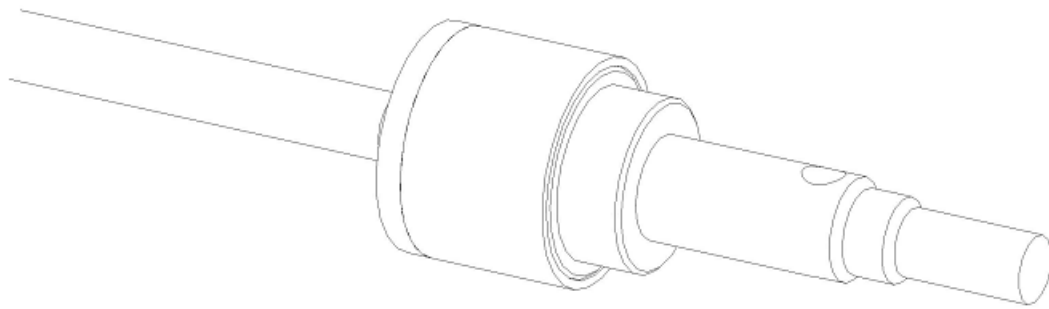
Note: The stock TRX-4 portal axles will need to be removed with shafts removed before starting. The stock CVDs will also need to be disassembled.

- 1 Assemble CVD axles using the stock shafts, pins and new axle parts

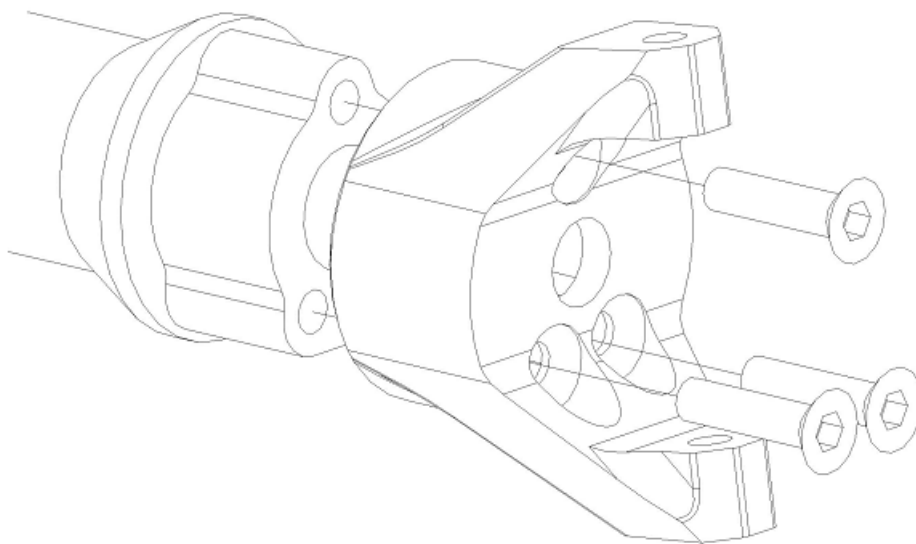


- 2 Install the aluminum ring to complete assembly of the CVD axles

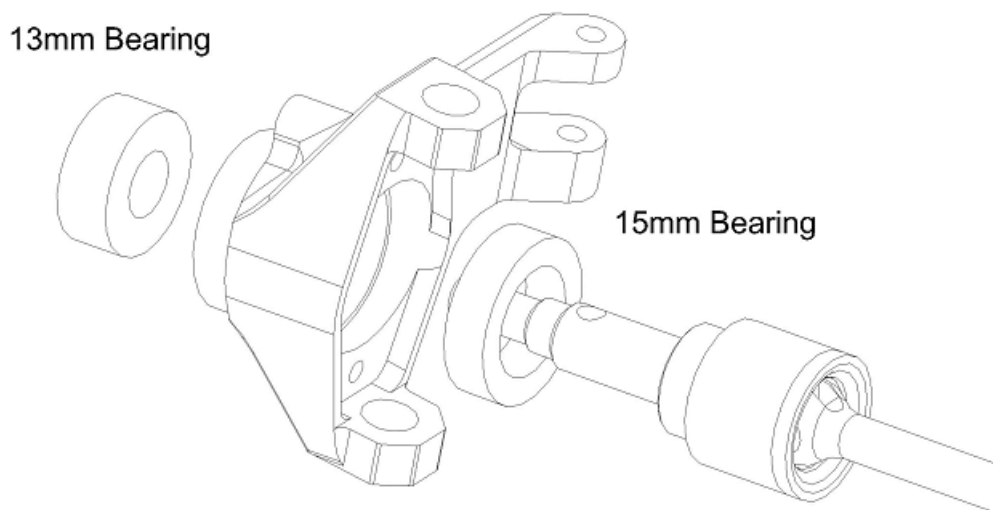




3 Install the new C hubs on to the axles (both sides) using the stock flat head screws. **Be careful to install the new C hubs on the correct side for correct caster angle.**

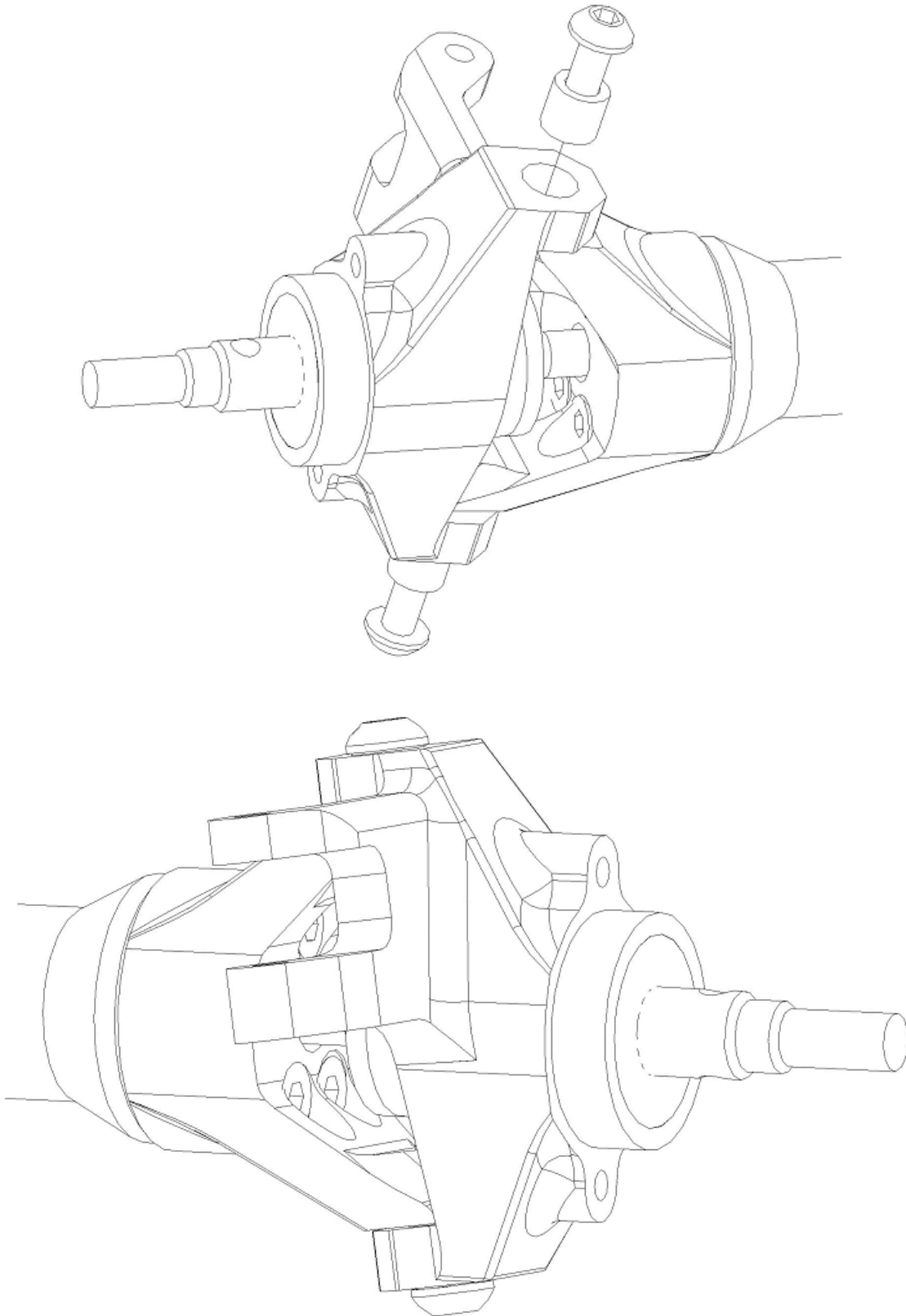


4 Install new bearings and axles into the new knuckles



5 Insert axles shafts in to the axles and install the knuckles on to the C hubs (both sides) using the stock steel bushings and new M3 x 10mm screws

M3 x 10mm



The stock steering links can now be installed to complete assembly of the front axle.

Stock hexes can also be installed.

The body will need to be raised on the chassis. So the body posts posts will need to be raised to achieve this.

The front bumper mount can also be flipped to raised the front bumper.

Recommended Parts

SSD00202 12mm Aluminum Hex Set for TRX-4

SSD00203 D110 Aluminum Front Bumper for TRX-4