

SSD D60 Scale Transmission Fitting Instructions

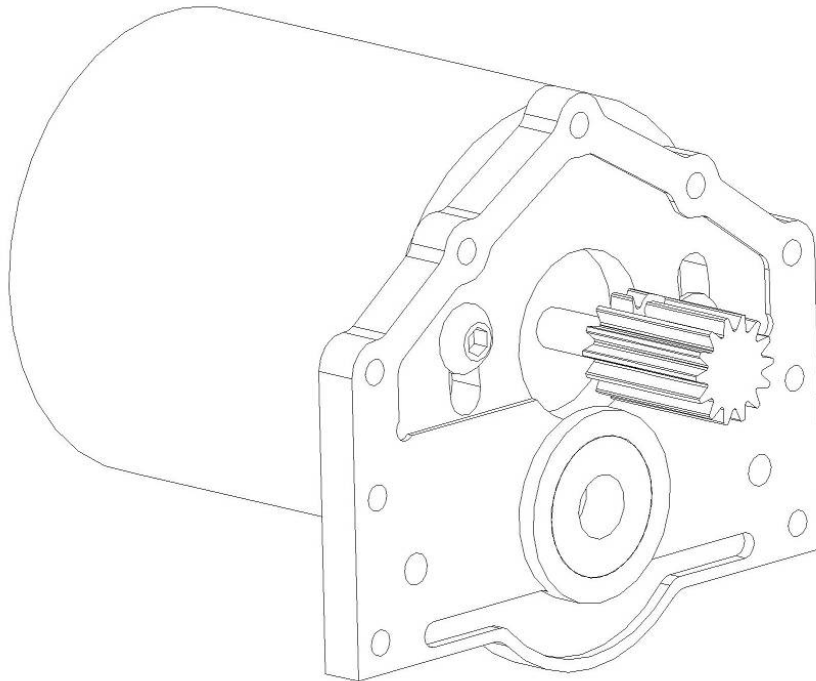
Note:

This transmission requires a front chassis mounted servo like the SSD D60 CMS (SSD00120).

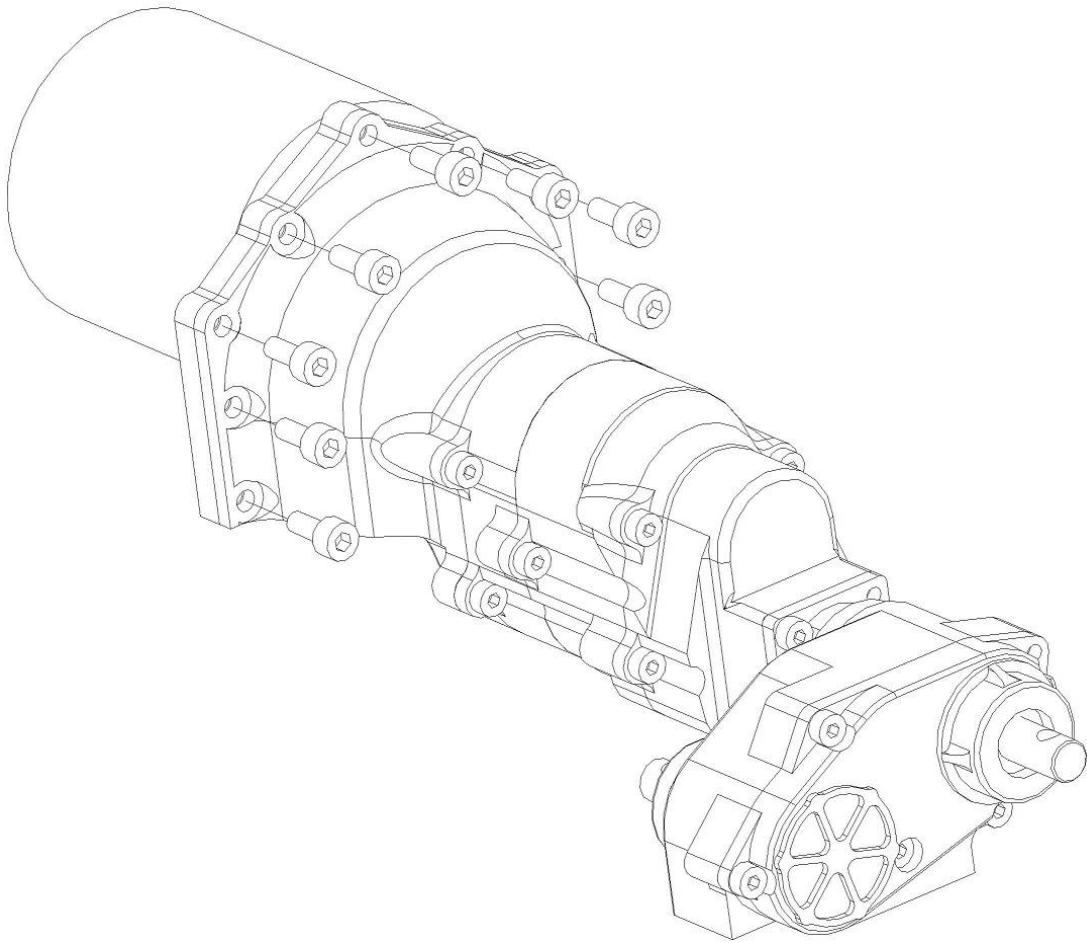
The SCX10 chassis will need to be disassembled before starting.

The SCX10 transmission mount may need to be rotated and installed the opposite way

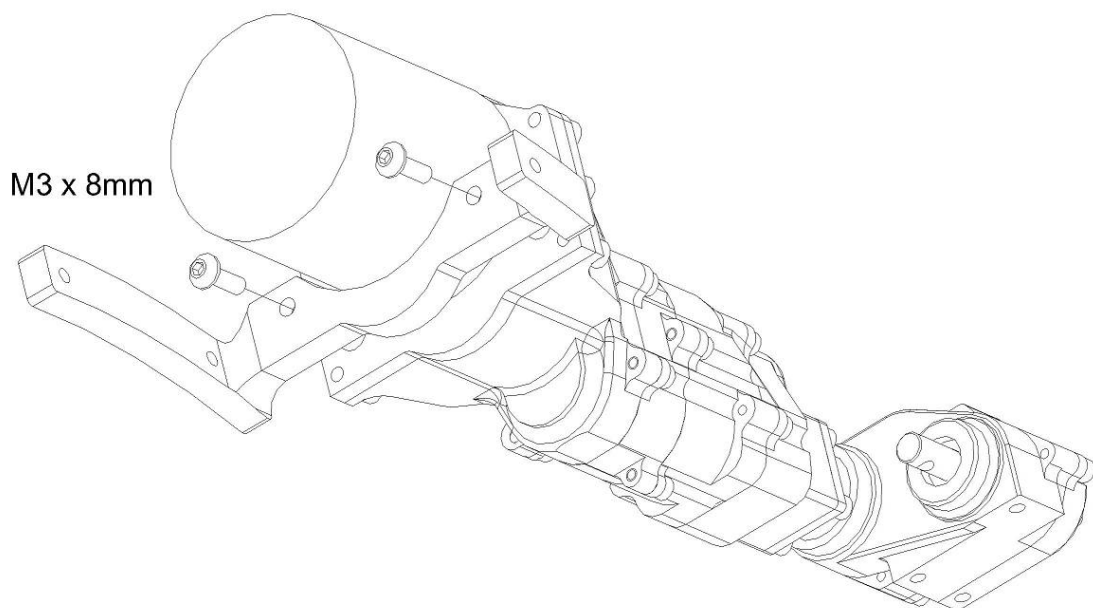
- 1 Remove the motor mount from the transmission and install the motor and pinion gear.



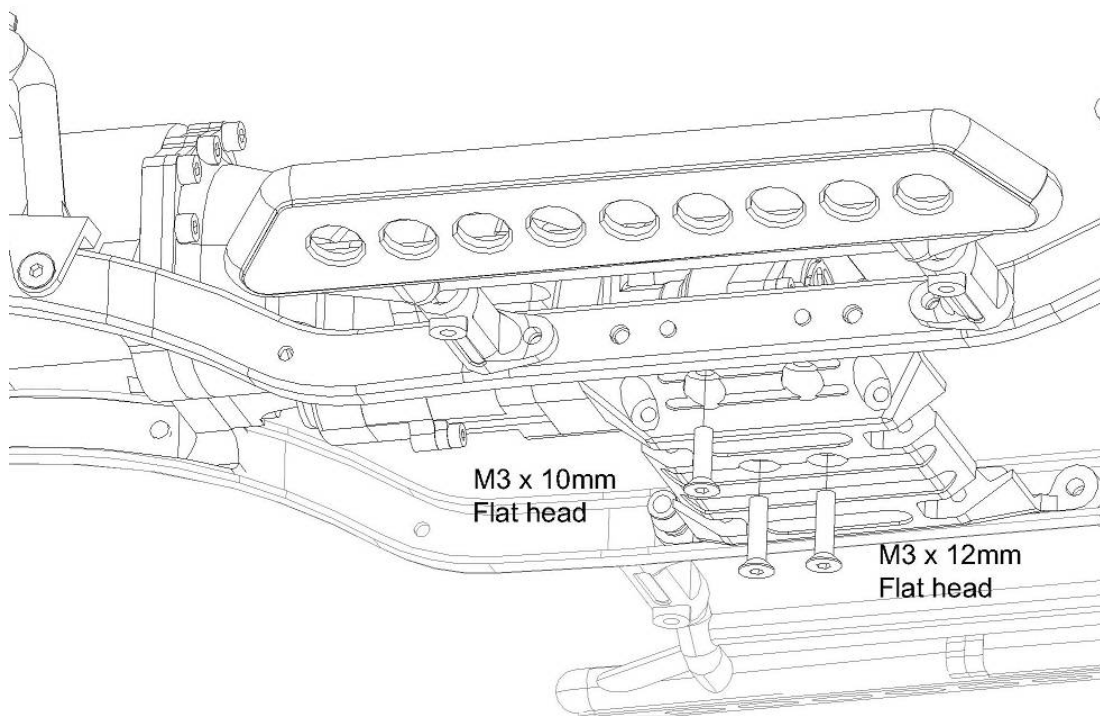
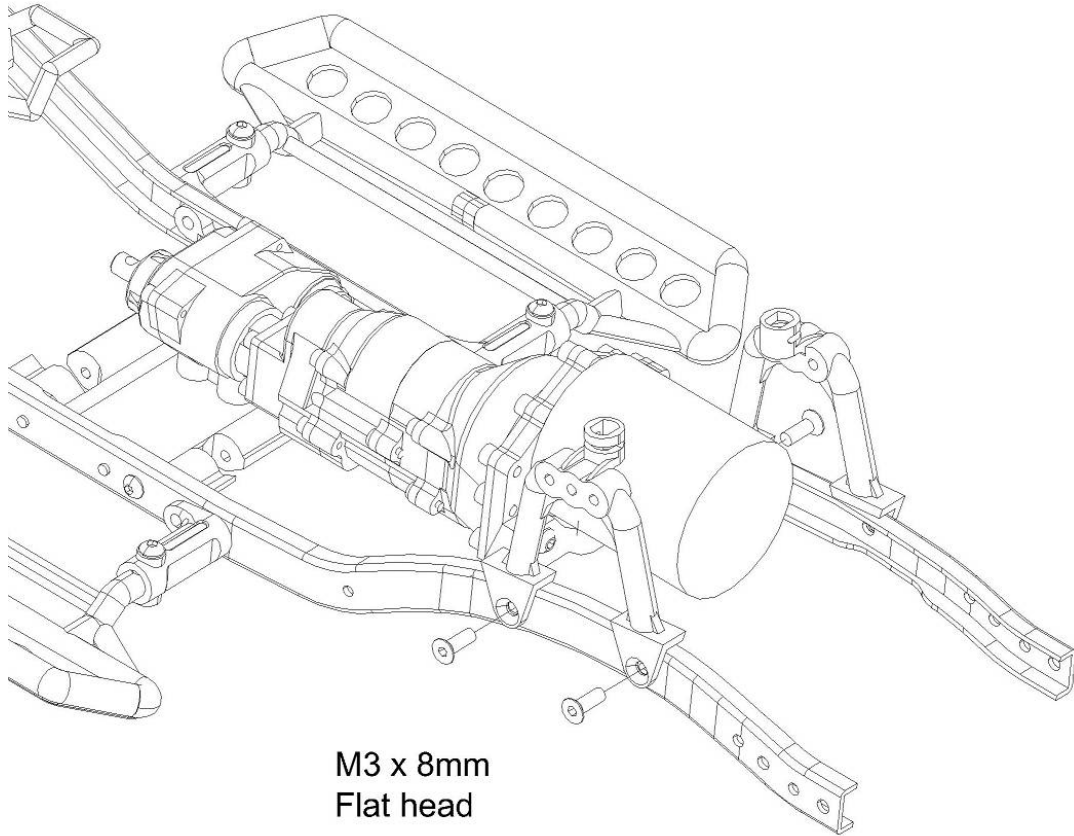
2 Install the motor mount onto the transmission

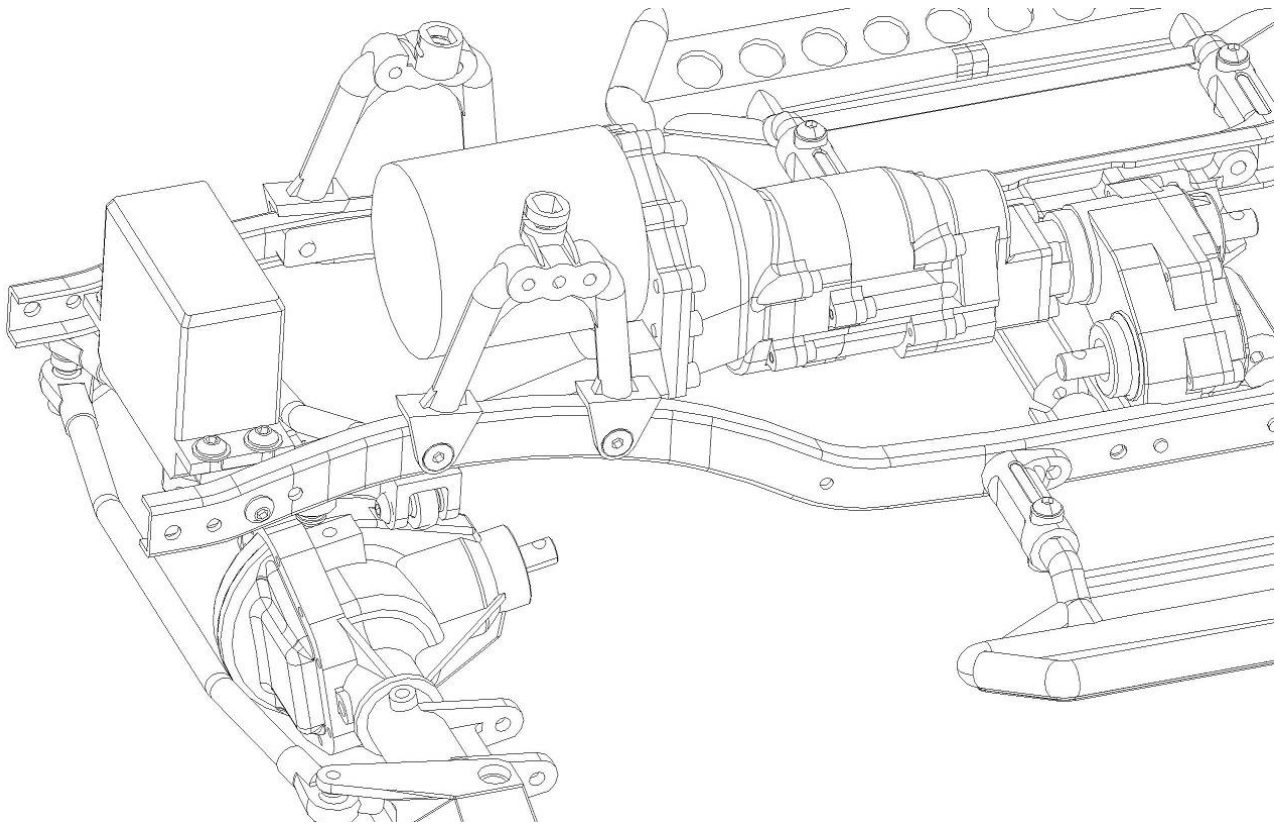


3 Install the mounting bracket onto the transmission



4 Install the transmission into the chassis





5 Reassemble the chassis as shown in the SCX10 assemble manual