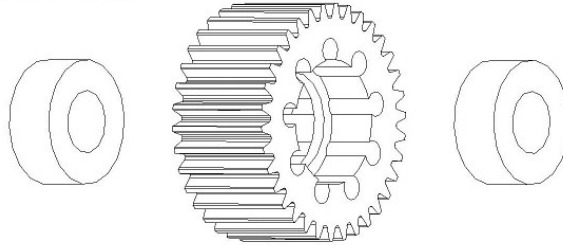


SSD High Ratio Transmission Assembly Instructions

Note: The stock Wraith transmission needs to be removed from the chassis as disassembled before starting.

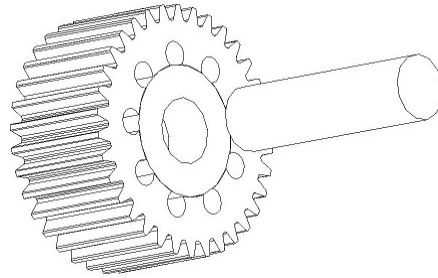
- 1 Install bearings in the 34T steel idler gear

5 x 10 x 4mm Bearing



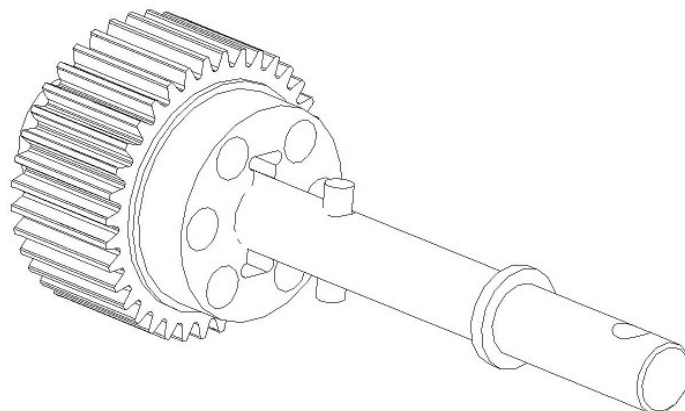
Use bearings from stock Axial Wraith transmissison

- 2



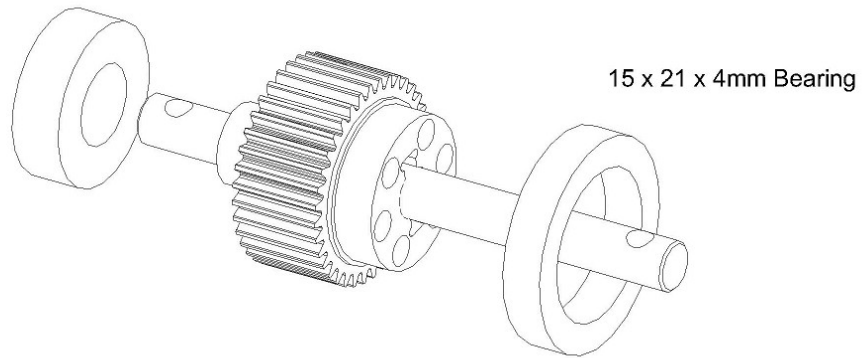
Use idler gear shaft from stock Axial Wraith transmissison

- 3 Install 36T steel gear on output shaft with 2mm pin



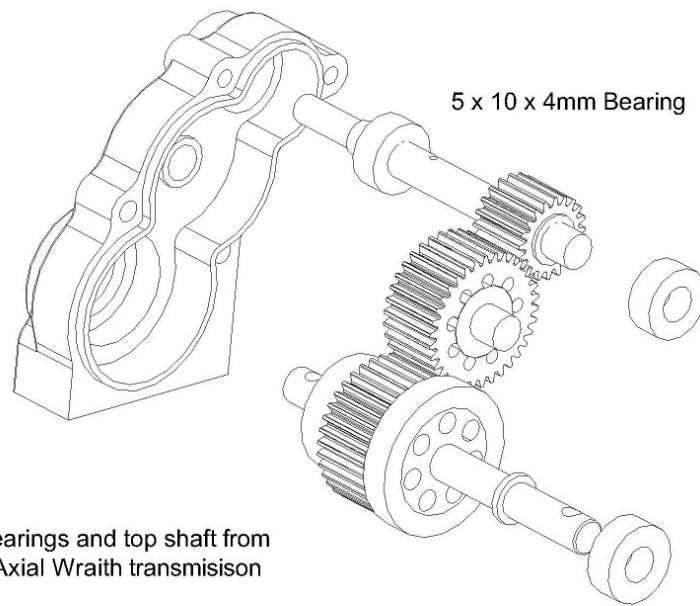
4 Install bearings on 36T steel gear

8 x 16 x 5mm Bearing



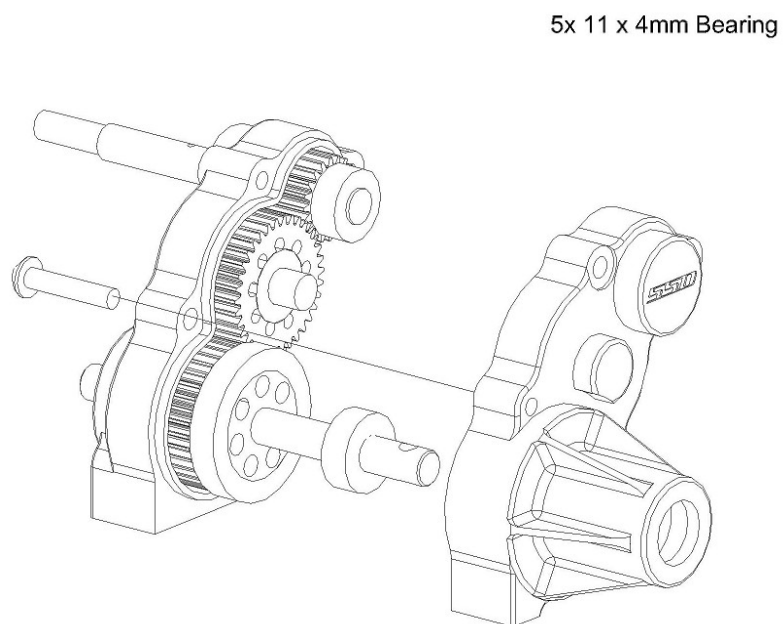
Use bearing from stock Axial Wraith transmissison

5

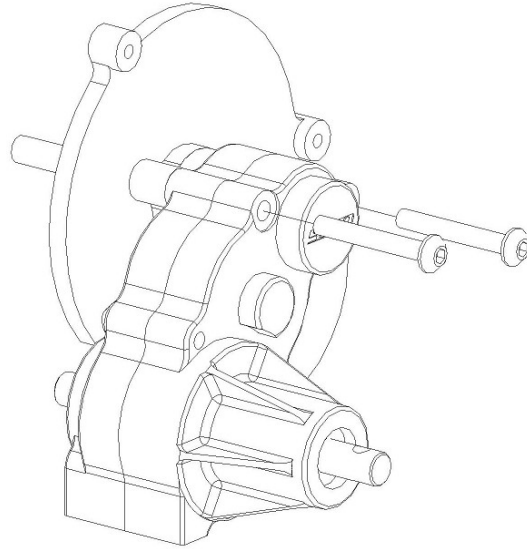


Use bearings and top shaft from stock Axial Wraith transmissison

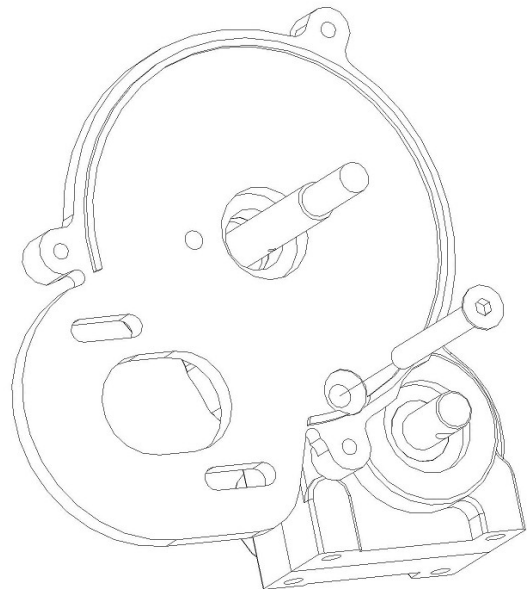
6



7



8



Now install the slipper clutch and spur gear the same way as on the stock Axial transmission.

The stock Axial transmission gear cover can be installed using the screws provided.