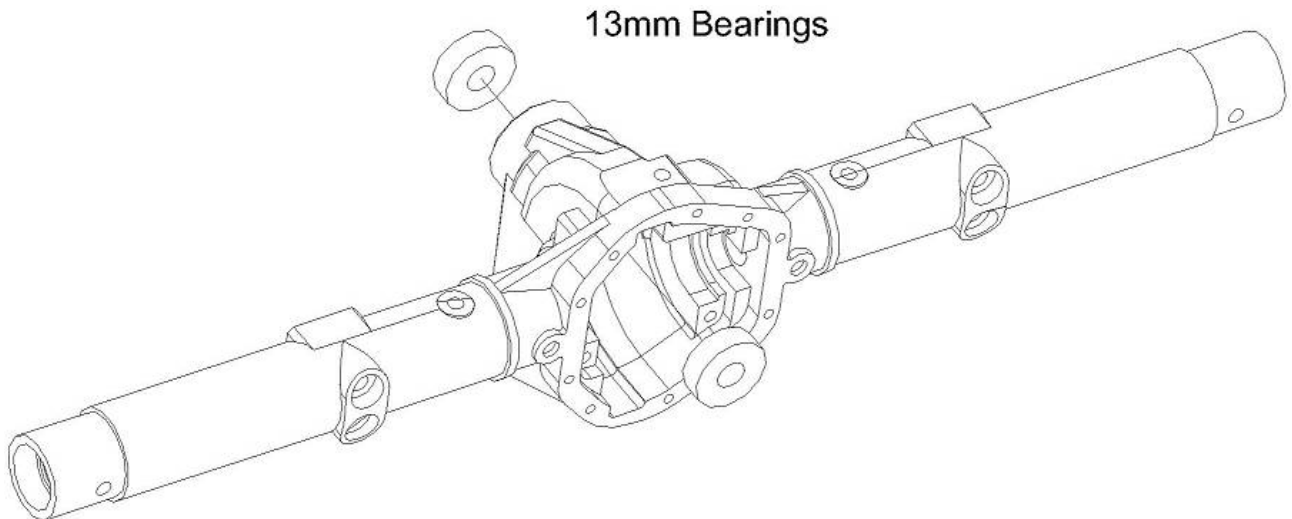


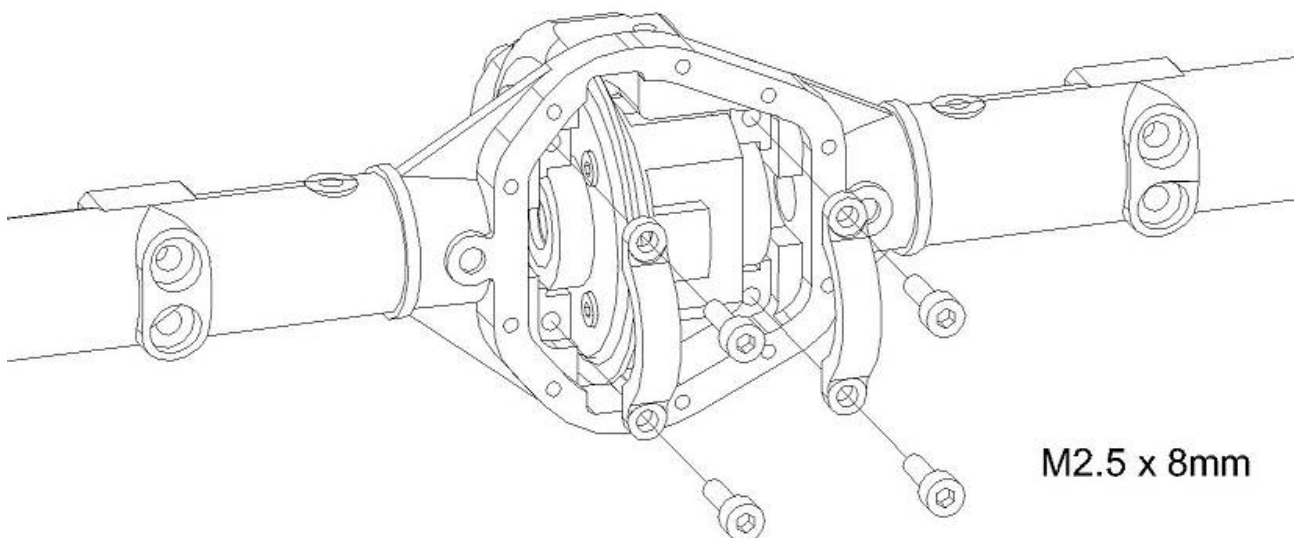
SSD HD D60 Centered Rear Axle Assembly Instructions

Note: The stock AR60 axle will need to be disassembled with all gears, bearings and shafts removed before starting.

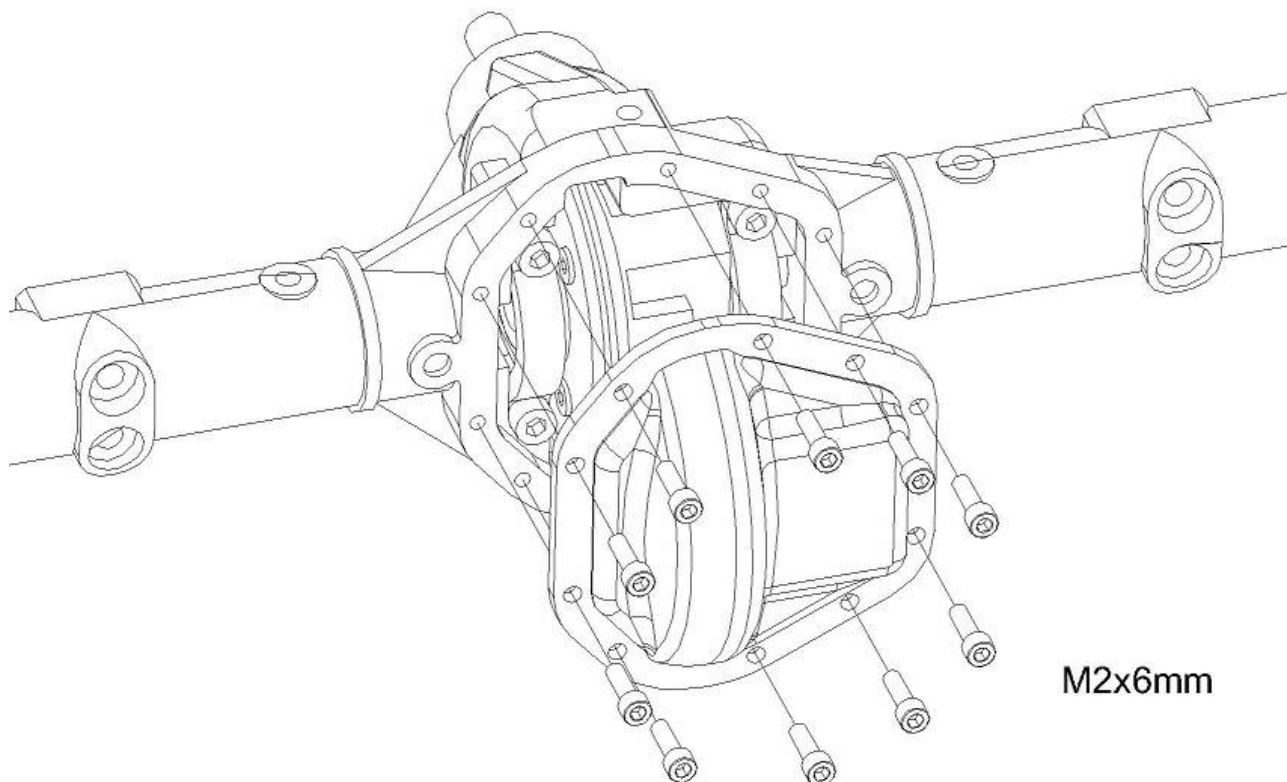
- 1 Install 13mm pinion shaft bearings



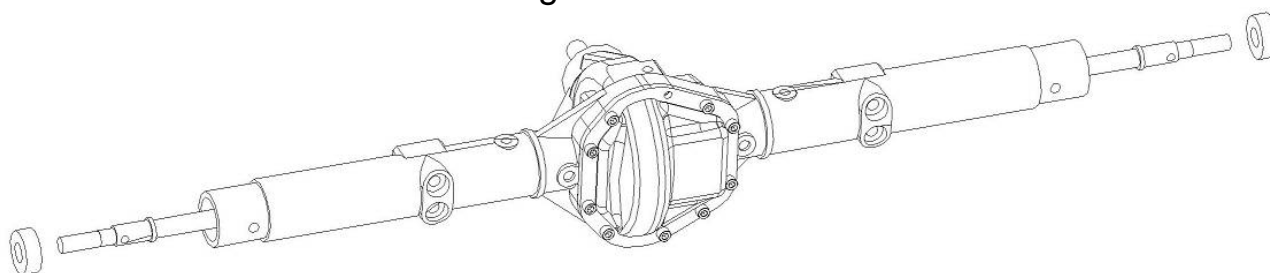
- 2 Install gears with the stock bearings
Be careful not to over tighten the screws



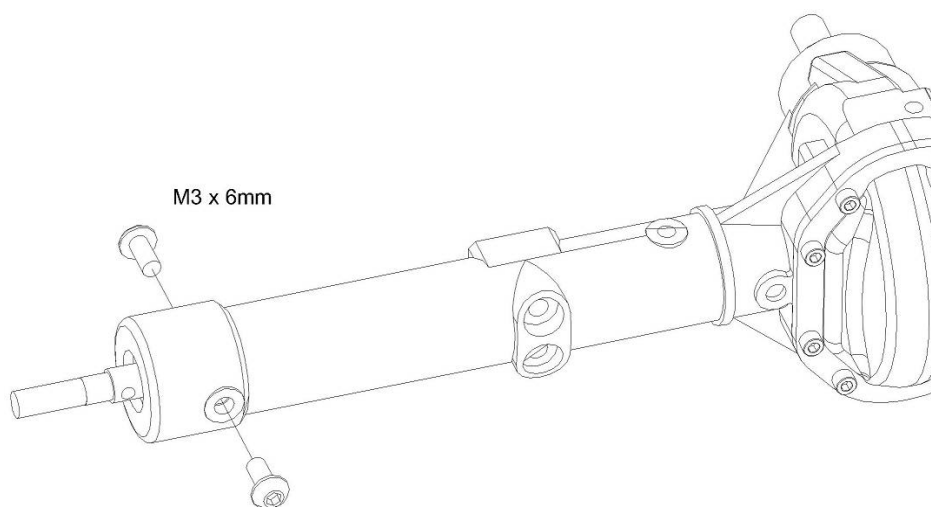
3 Install diff cover



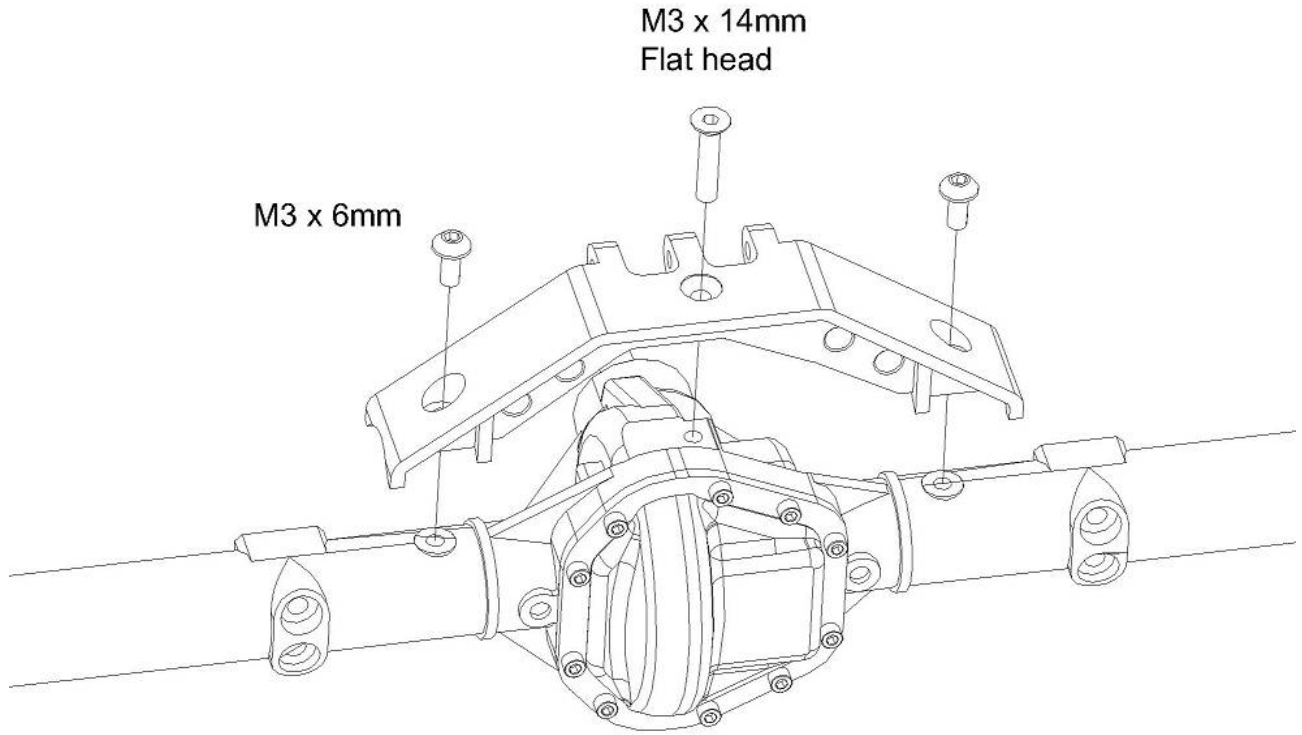
4 Install shafts and stock bearings



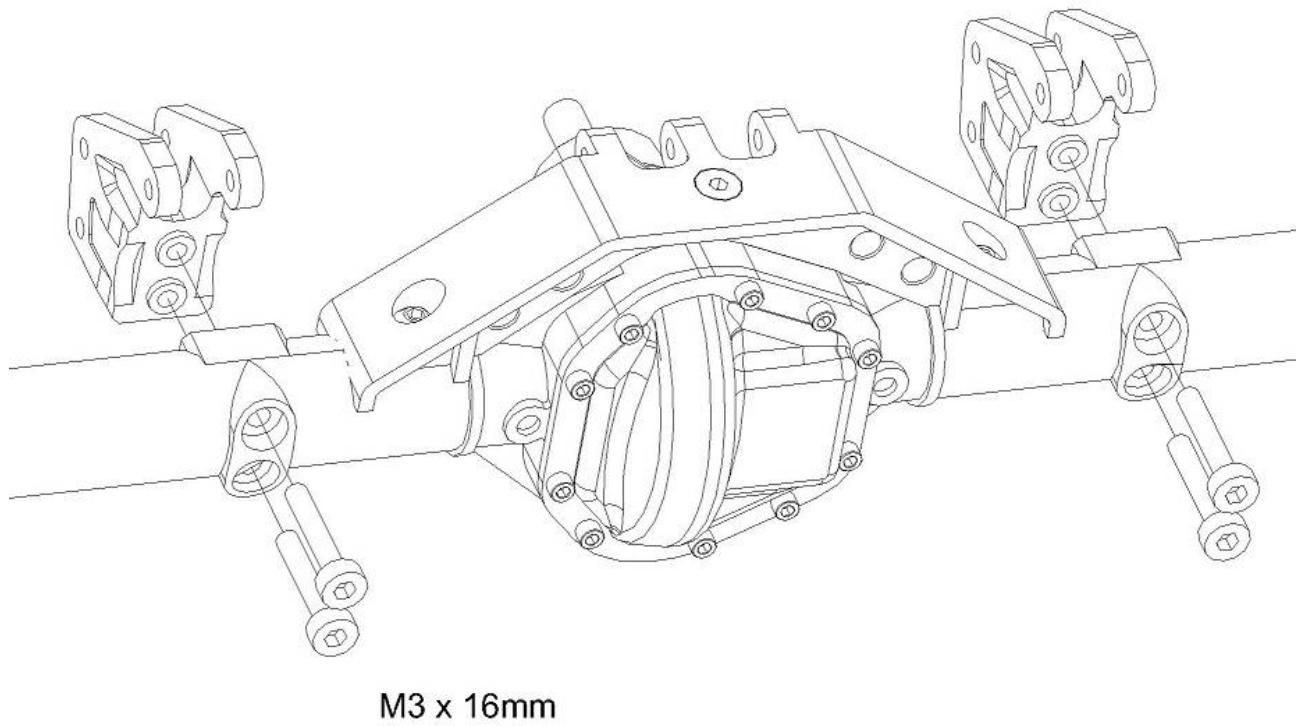
use 11mm bearings
from the stock axle

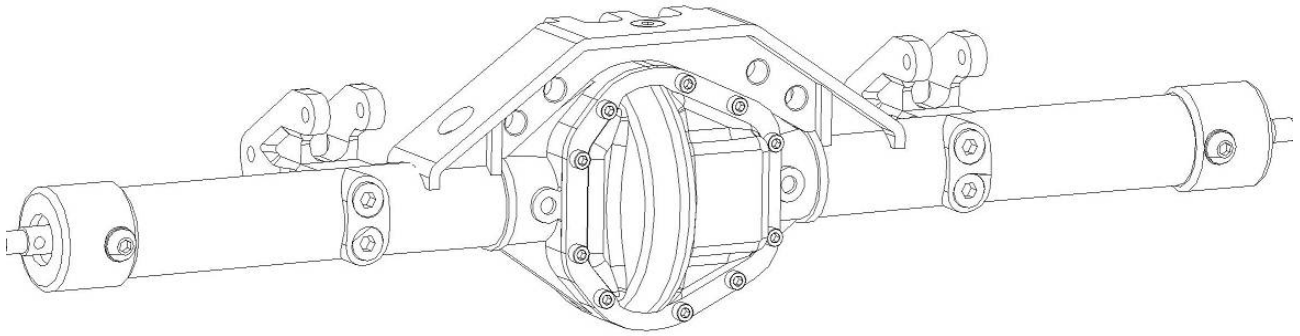


5 Install upper link mount



6 Install link mounts





After axle assembly is complete it can be installed on the chassis in the same way as the stock axle.

Spare/Upgrade Parts

- SSD00040 Centered Rear Axle Shafts for Wraith
- SSD00081 HD Centered Rear Axle Shafts
- SSD00065 D60 Axle Aluminum Bearing Caps (2)
- SSD00092 D60 HD Diff Cover (Black)
- SSD00095 D60 HD Diff Cover (Silver)