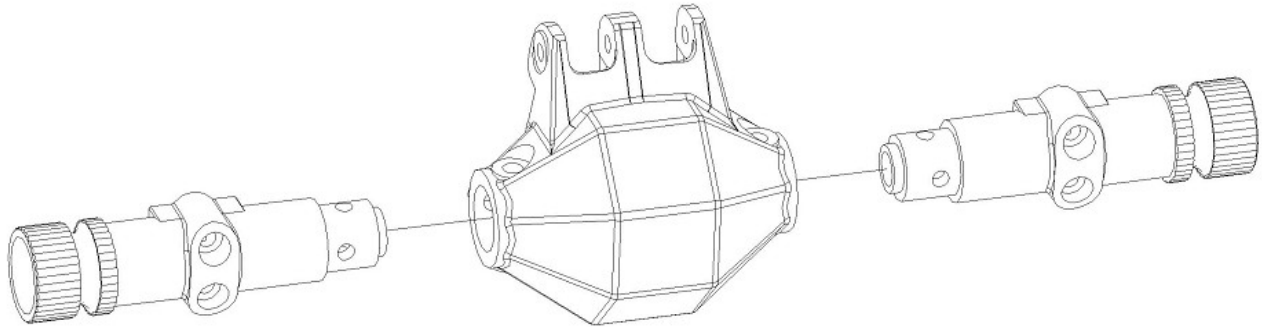


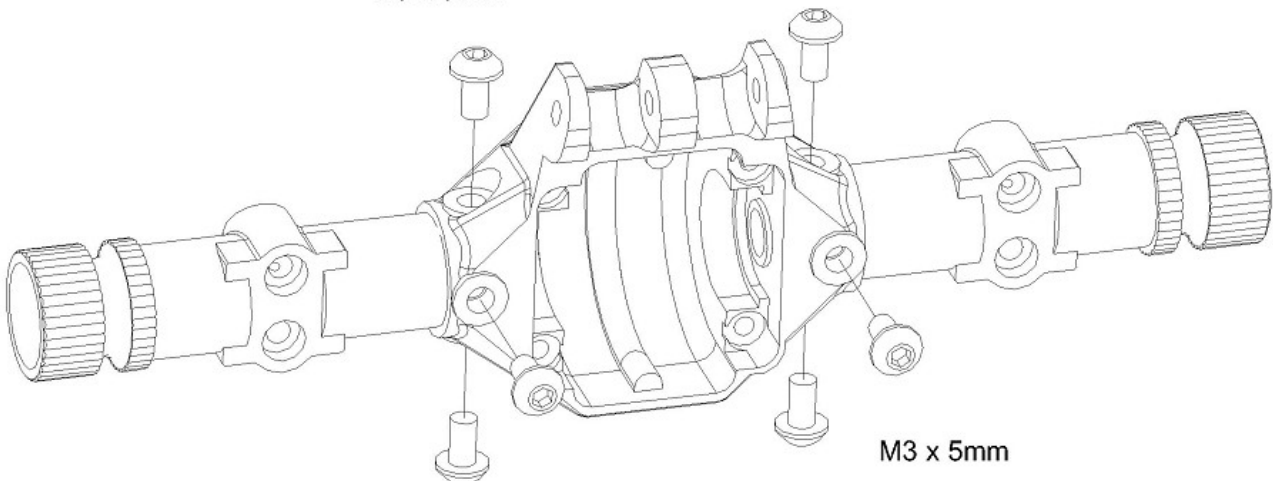
SSD Diamond 44 Axle Assembly Instructions

Note: The stock SCX10 II AR44 axles will need to be disassembled with all gears, bearings and shafts removed before starting.

1 Install tubes into the housing

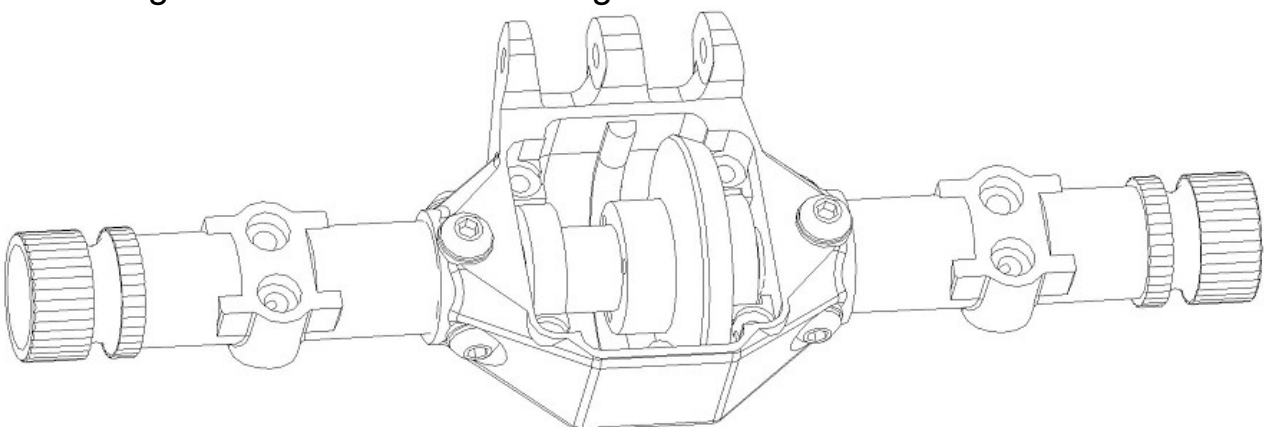


M3 x 5mm



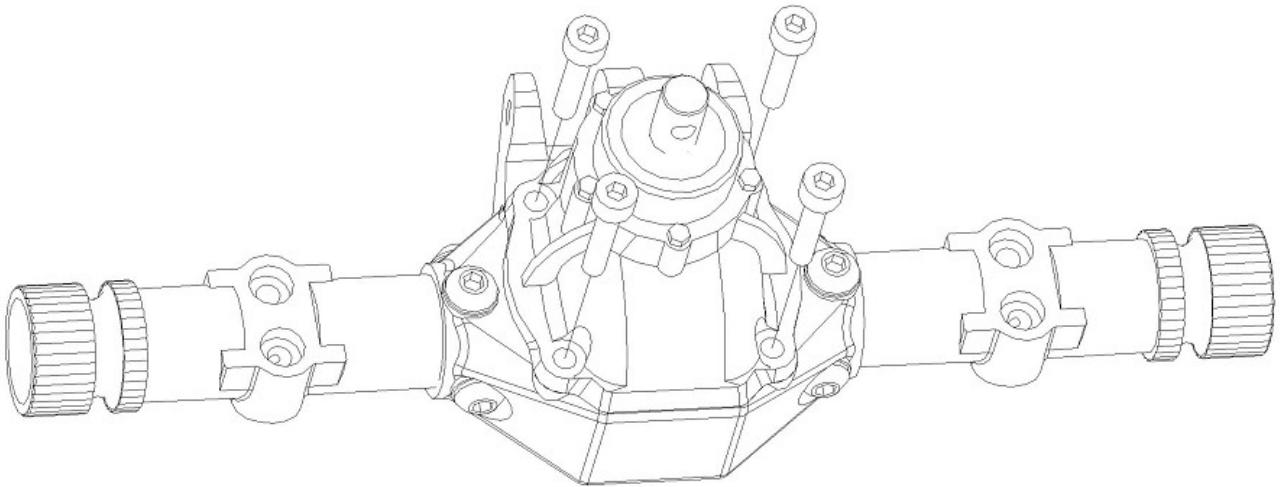
M3 x 5mm

2 Install gears with the stock bearings



- 3 Install third member
Be careful not to over tighten the screws

M2.5 x 12mm

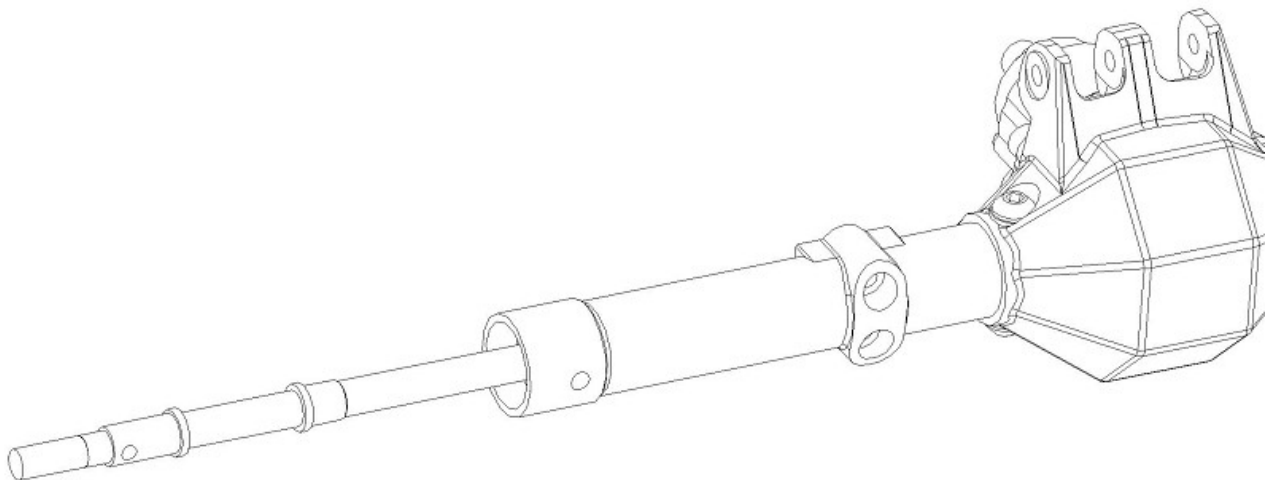


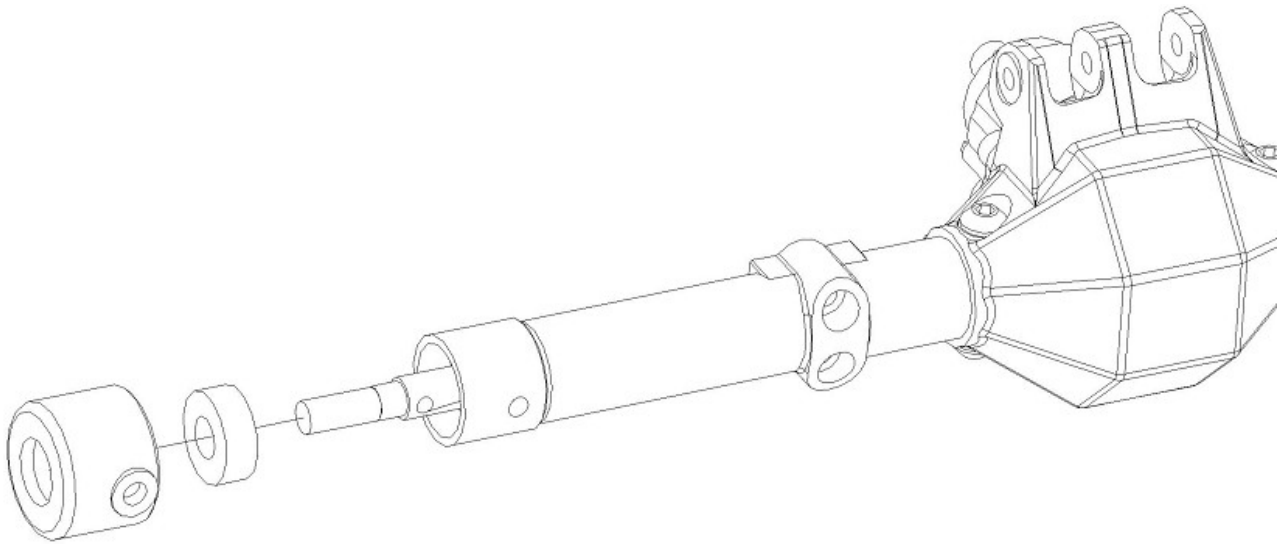
The front axle assembly (shafts, C-hubs, knuckles, link mounts) can be completed in the same way as the stock axle.

Rear Axle Assembly

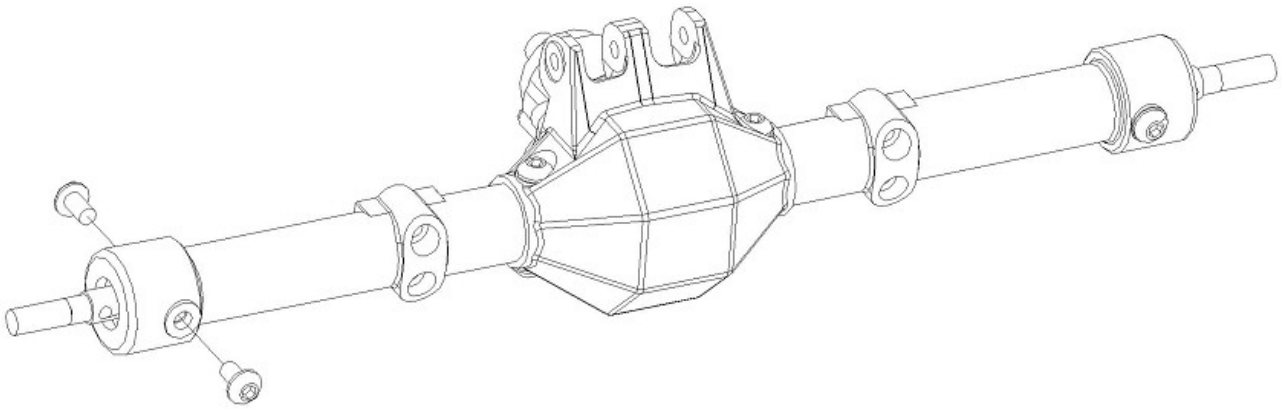
The rear axle tubes, gears, bearings and third member should be installed the same way as shown in step 1, 2 & 3.

- 4 Use AR44 straight rear axle shafts and bearings.
Note: rear lockouts are not needed.





5



M3 x 5mm

After axle assembly is complete they can be installed on the SCX10 II chassis in the same way as the stock axles.

Recommended Parts

- SSD00144 Pro Aluminum Knuckles for SCX10 II (Black)
- SSD00145 Pro Aluminum C Hubs for SCX10 II (Black)
- SSD00182 Knuckle Bushing Set for SCX10 II
- SSD00193 Super Heavy Brass Knuckles for SCX10 II / Pro44 Axle
- SSD00196 HD Steel Locker for SCX10 II / Pro44 Axle
- SSD00212 Pro44 Titanium Steering Links for SCX10 II