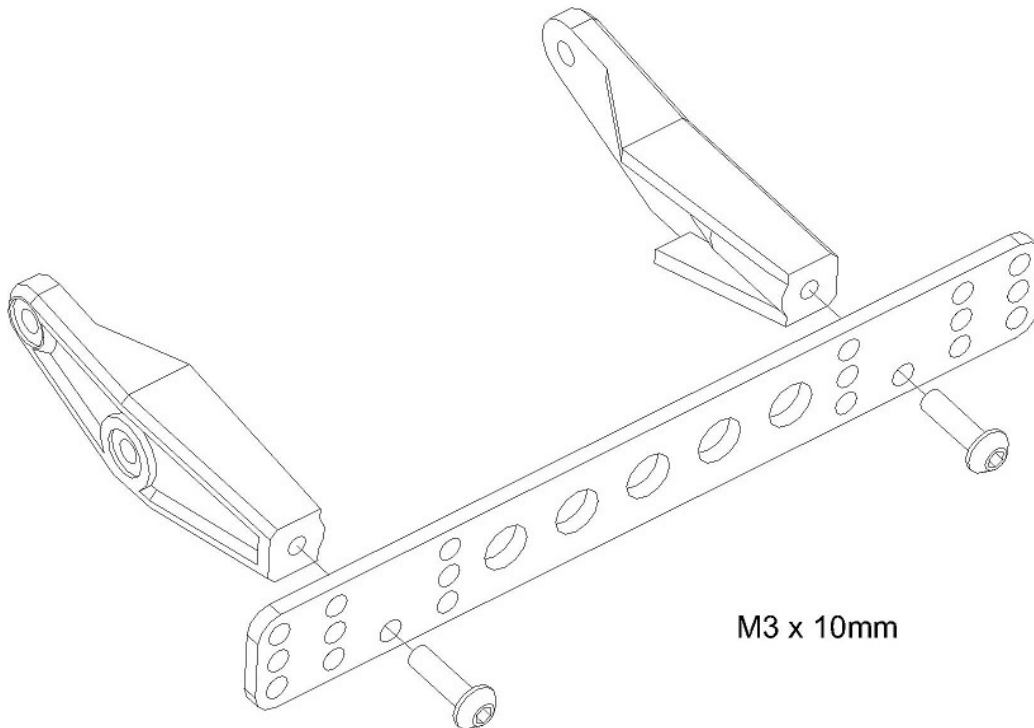


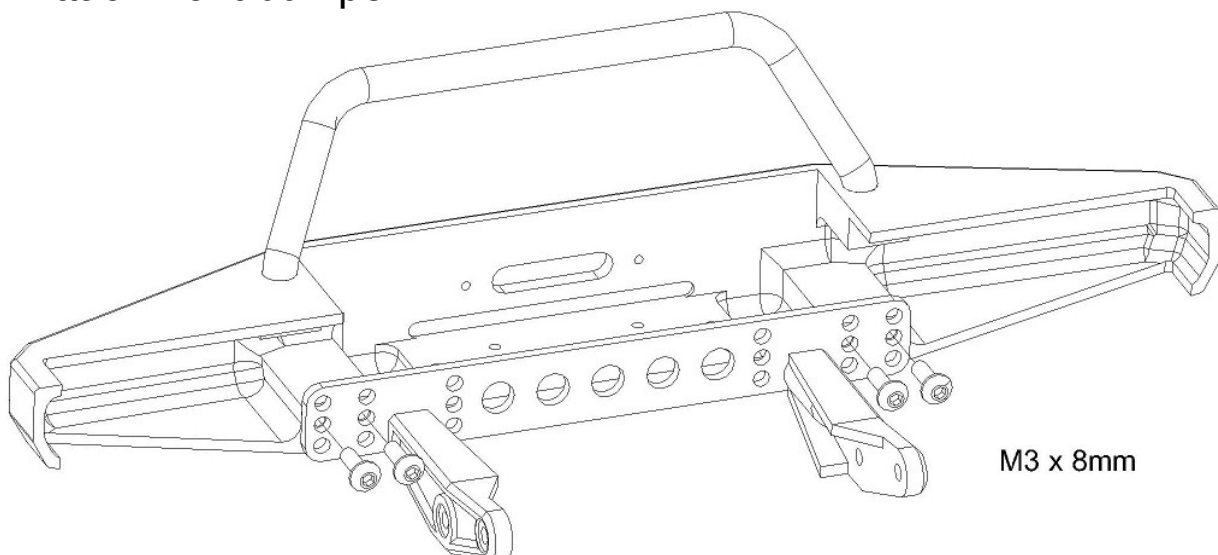
SSD Blazer Winch Bumper Fitting Instructions

Note: The stock bumper and mounts will need to be removed before starting.

1 Attach mounting plate to front bumper mounts



2 Attach front bumper



3 Fit front bumper mounts to chassis as shown in the Ascender assemble manual.