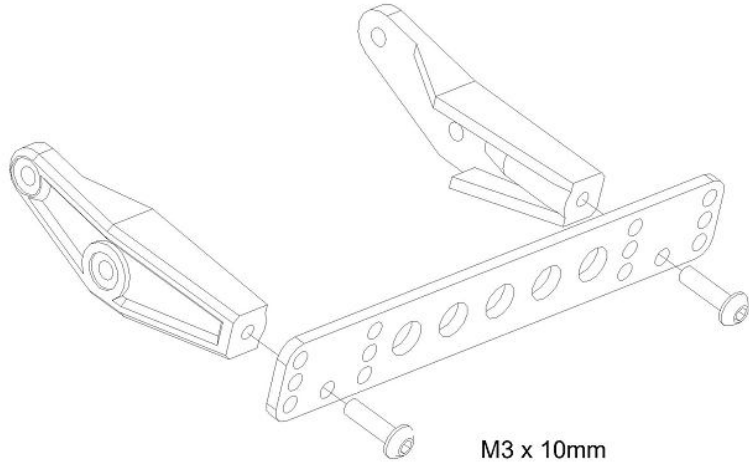


SSD Ascender Chrome Bumper Fitting Instructions

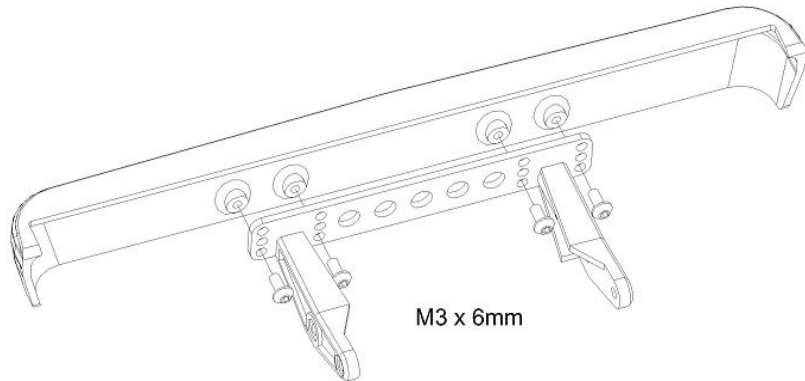
Note: The stock bumpers and mounts will need to be removed before starting.

Front Bumper

1 Attach mounting plate to front bumper mounts



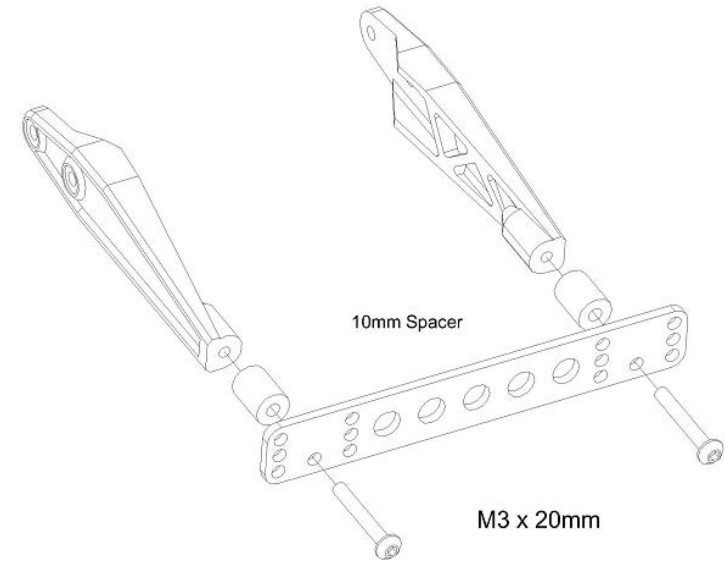
2 Attach front bumper



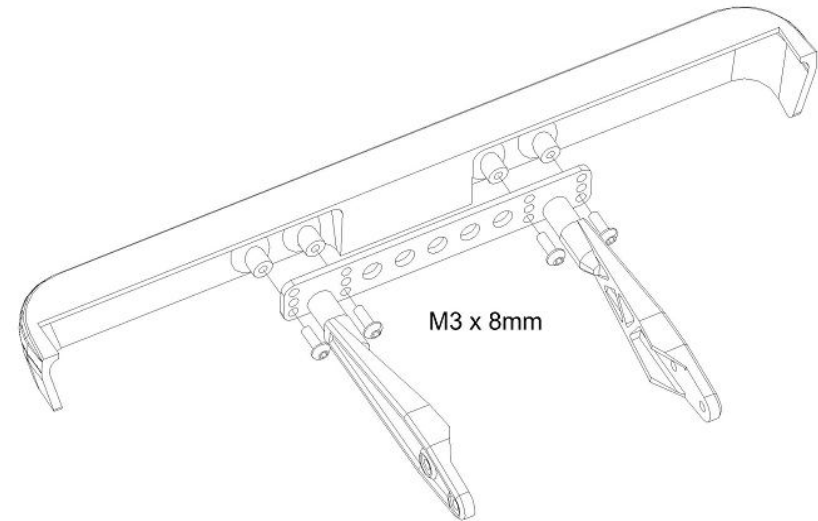
3 Fit front bumper mounts to chassis as shown in the Ascender assemble manual.

Rear Bumper

4 Attach mounting plate to rear bumper mounts



5 Attach rear bumper



6 Fit rear bumper mounts to chassis as shown in the Ascender assembly manual.