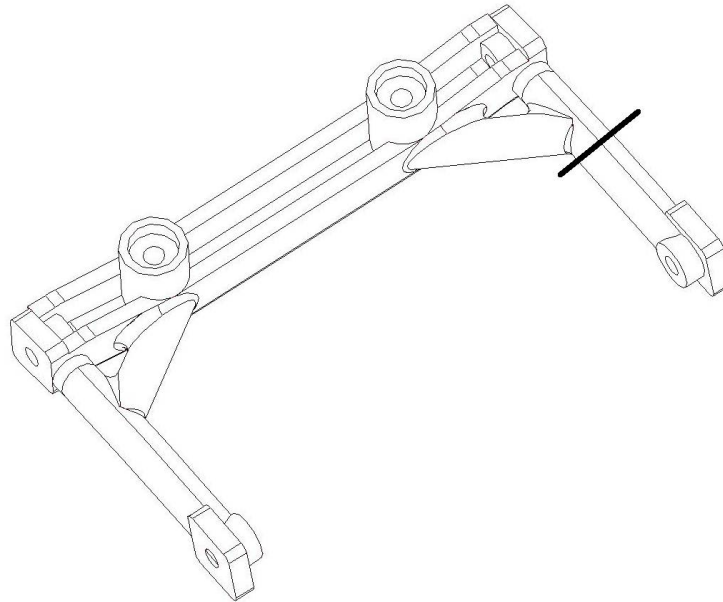


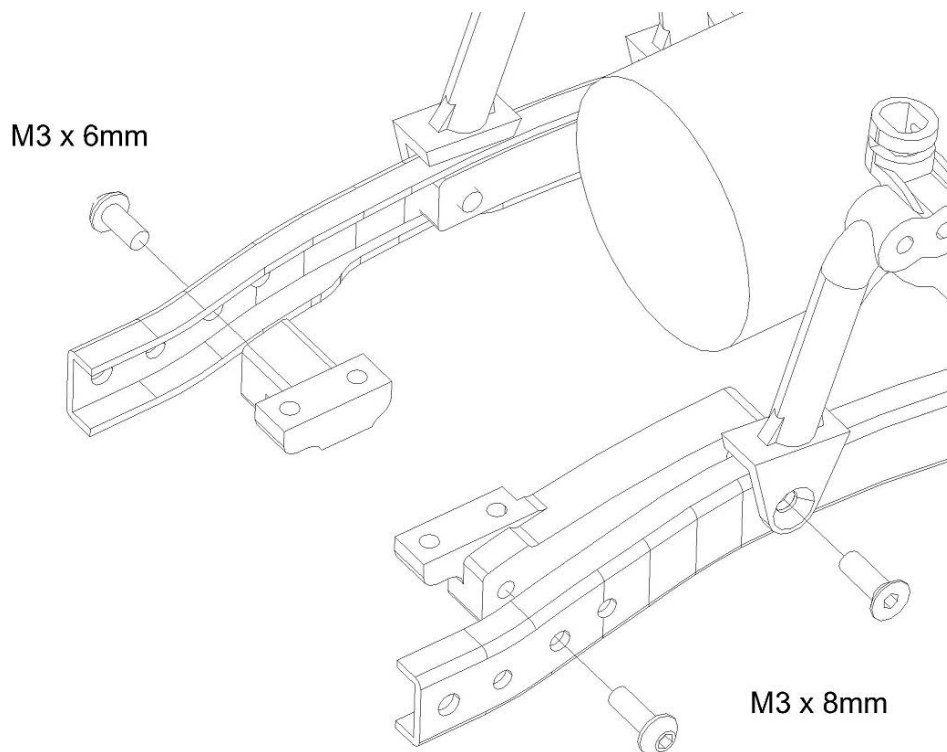
SSD D60 Chassis Mounted Servo Fitting Instructions

Note: The SCX10 chassis will need to be disassembled with the front axle removed before starting.

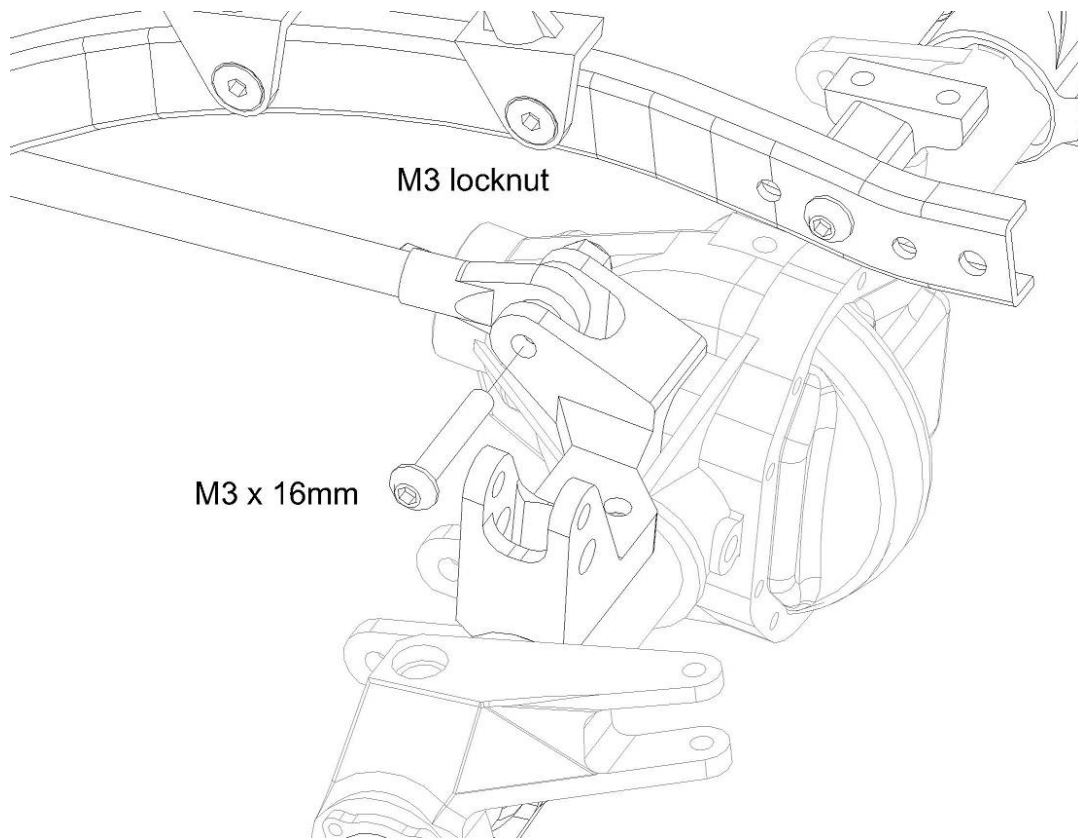
- 1 If you are using the stock plastic cross member then it will need to be cut.



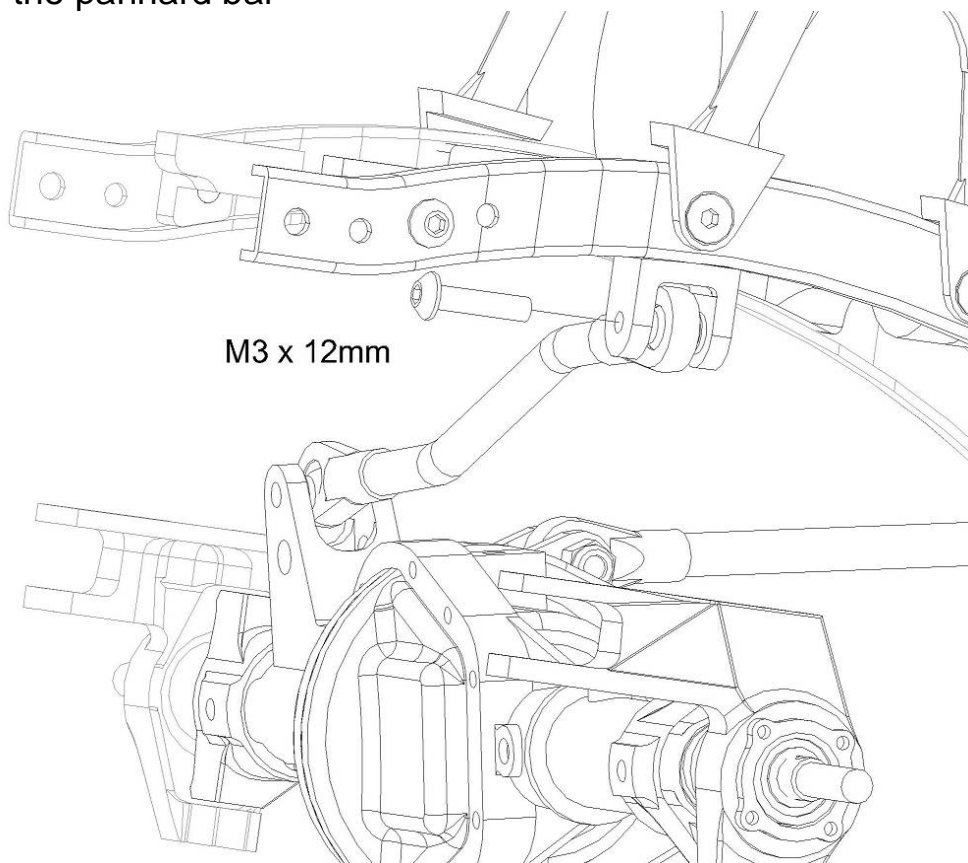
- 2 Fit the servo mount parts



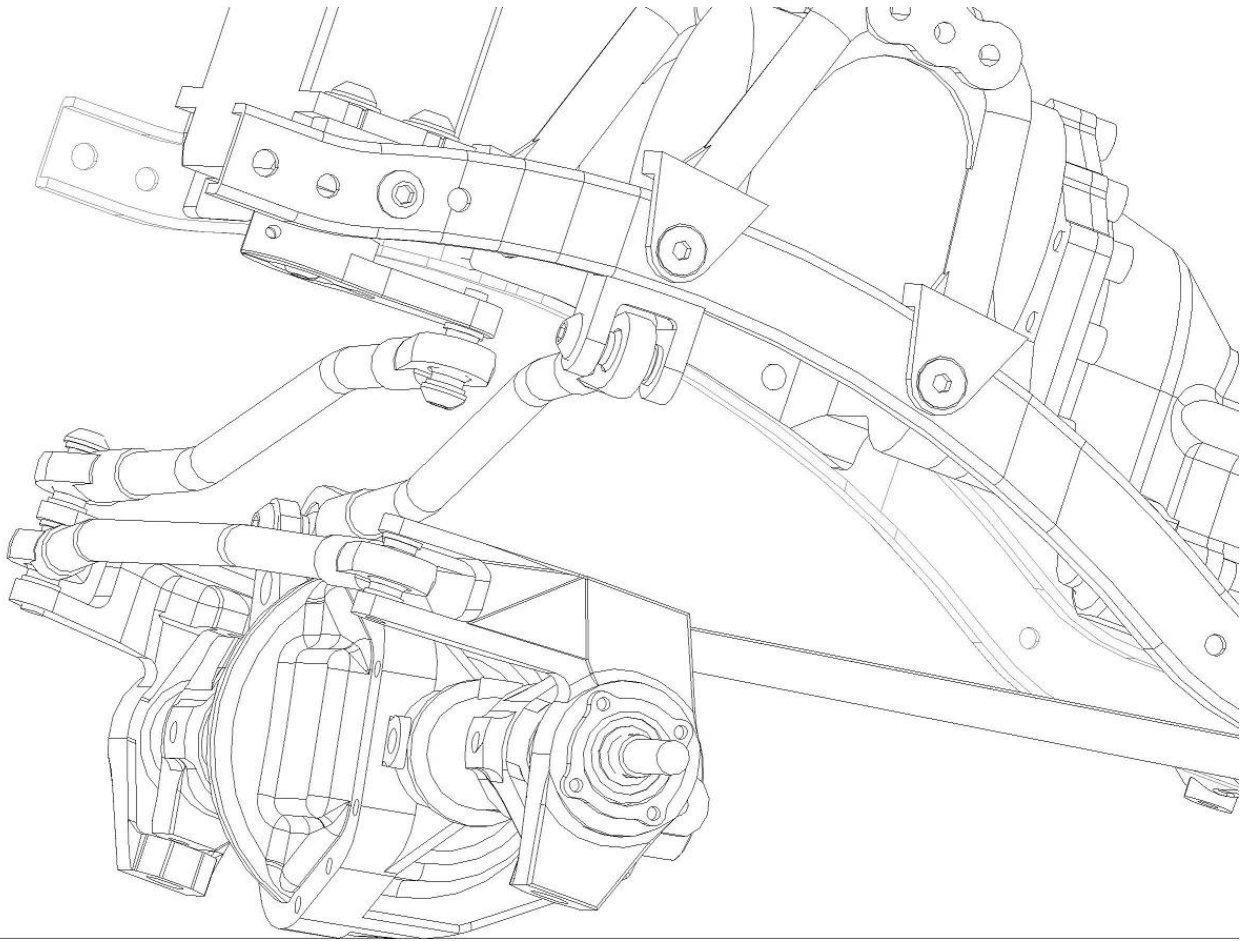
3 The links will need to be assembled first. Fit the upper link



4 Attach the panhard bar



7 Fit the drag link and a low profile servo horn



8
The lower suspension links and shocks should be attached as shown in the Axial SCX10 assembly manual.